

A

B

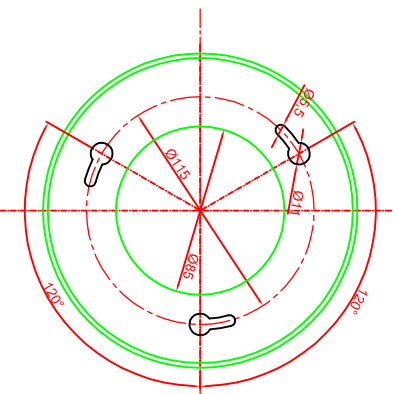
C

D

E

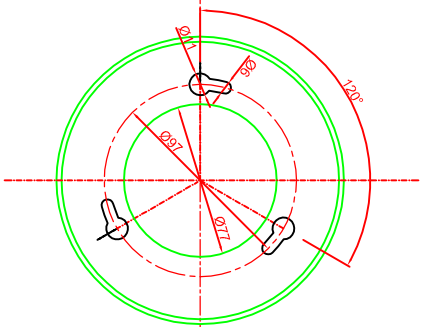
L

KEY-HOLES AREA
TYPE H



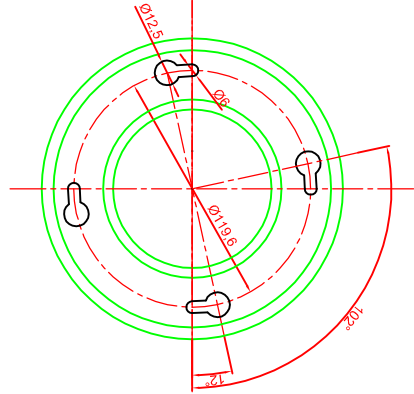
FLAT Key-holes area

KEY-HOLES AREA
TYPE X



FLAT Key-holes area

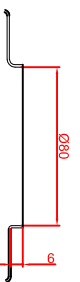
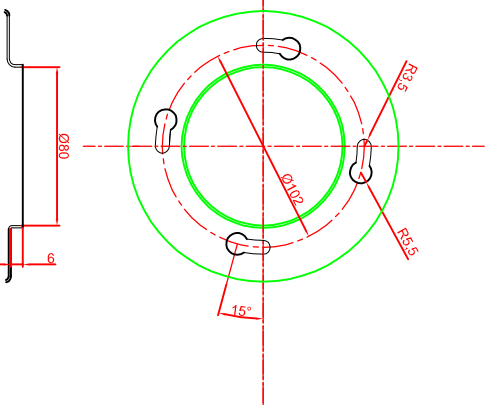
KEY-HOLES AREA
TYPE Y



CAUTION!
This design can only be offered on high bays with 480/490mm diameter.



KEY-HOLES AREA
TYPE L



1	Part.N°	Designazione	AL 1050.1	MATERIALE	Quantità	Peso(kg)
	Progettato	Approvato da			Data	Scala
	ING. ARAR				29/04/2009	



Key holes area for Standard Reflectors

REV.N°:	Foglio
1	